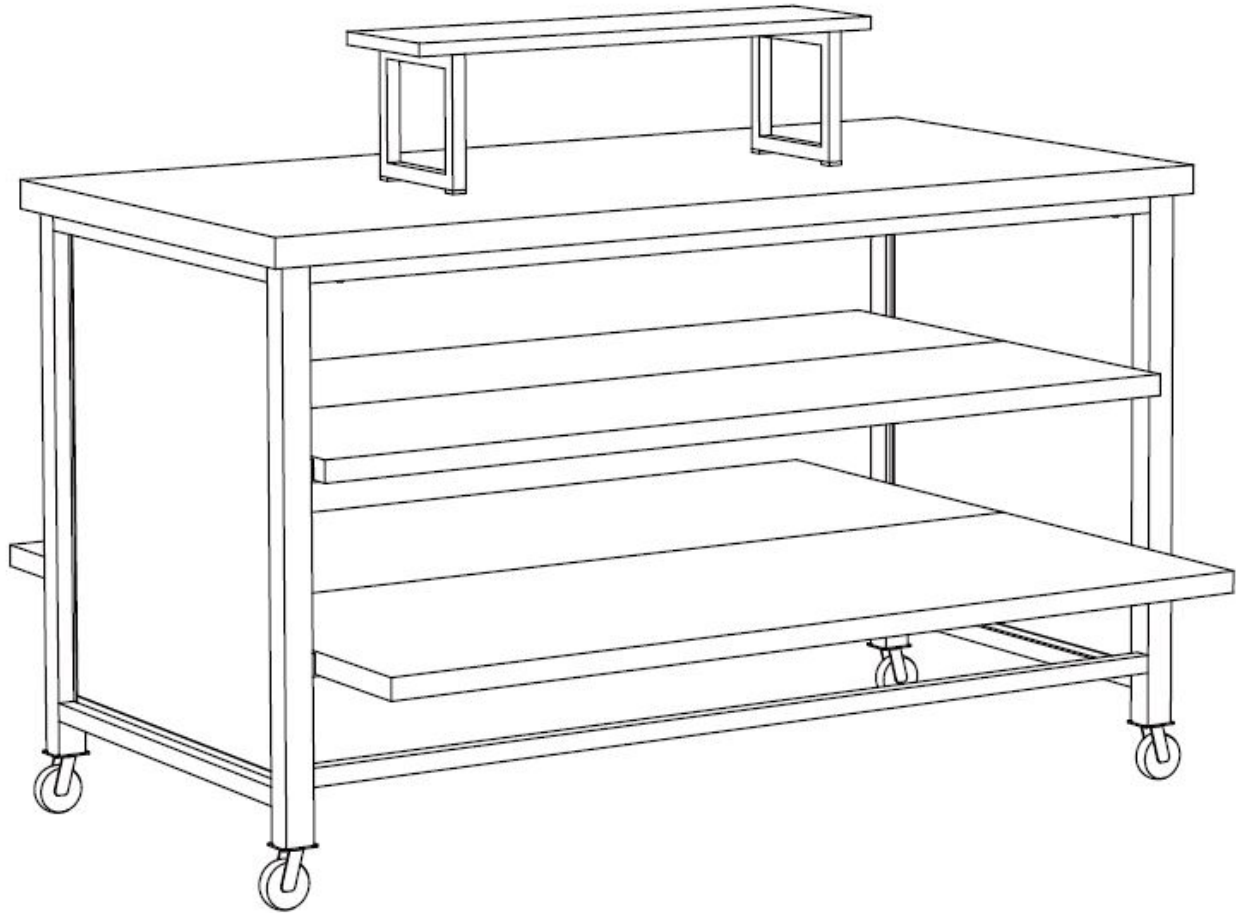




DISPLAYS2GO
CONNECTING PEOPLE & BRANDS WITH THE WORLD



SKU: SM3TWDR

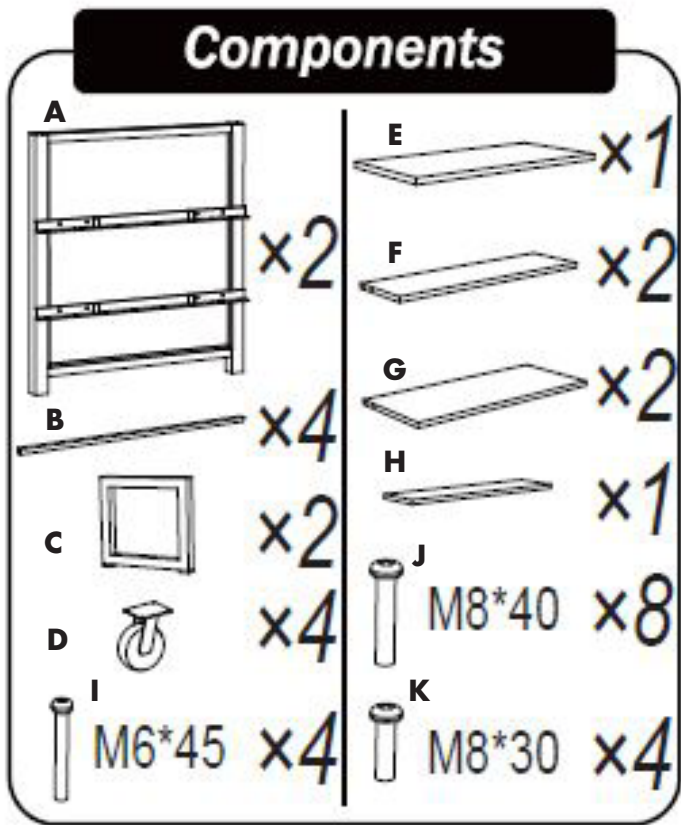
3-TIER WOODEN DISPLAY RACK SHELVES

Assembly Instructions

PARTS LIST



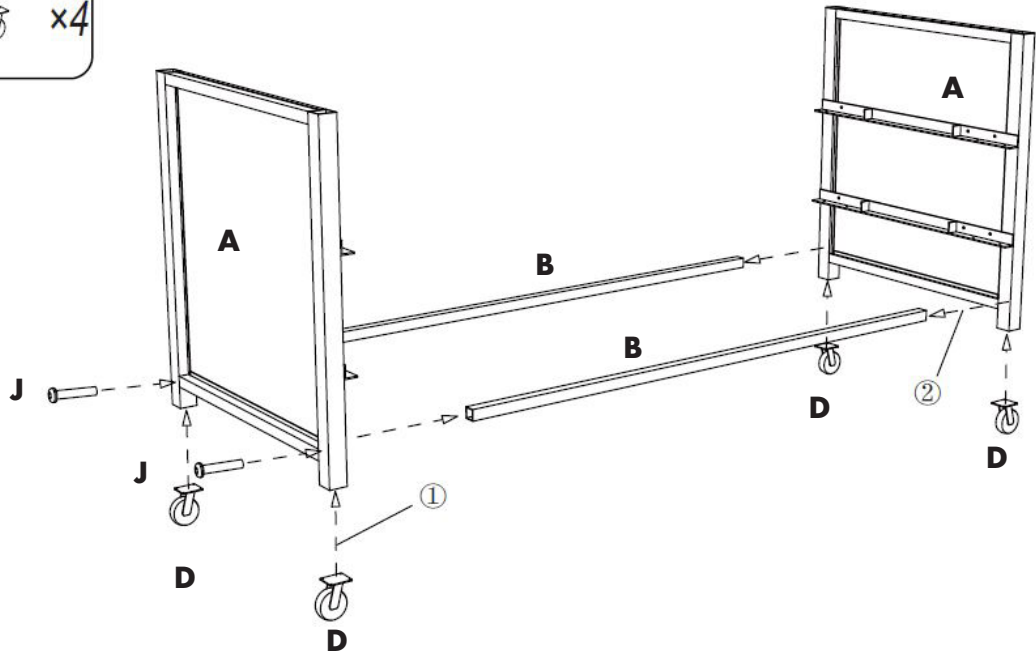
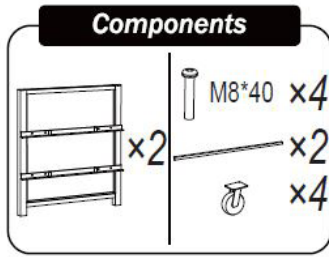
Scan QR code
to visit product
page



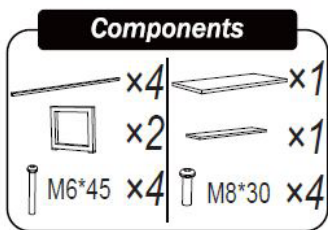
| PART | QUANTITY |
|---------------------------------|----------|
| A: Frame | 2 |
| B: Support Rods | 4 |
| C: Mini-Shelf Frame Piece | 2 |
| D: Casters | 2 |
| E: Tabletop | 1 |
| F: Middle Shelf | 2 |
| G: Bottom Shelf | 2 |
| H: Mini-Shelf Top | 1 |
| I: M6 * 45 Screw | 4 |
| J: M8 * 40 Screw | 8 |
| K: M8 * 30 Screw | 4 |

NOTE: Allen wrench is required for assembly, but is not included.

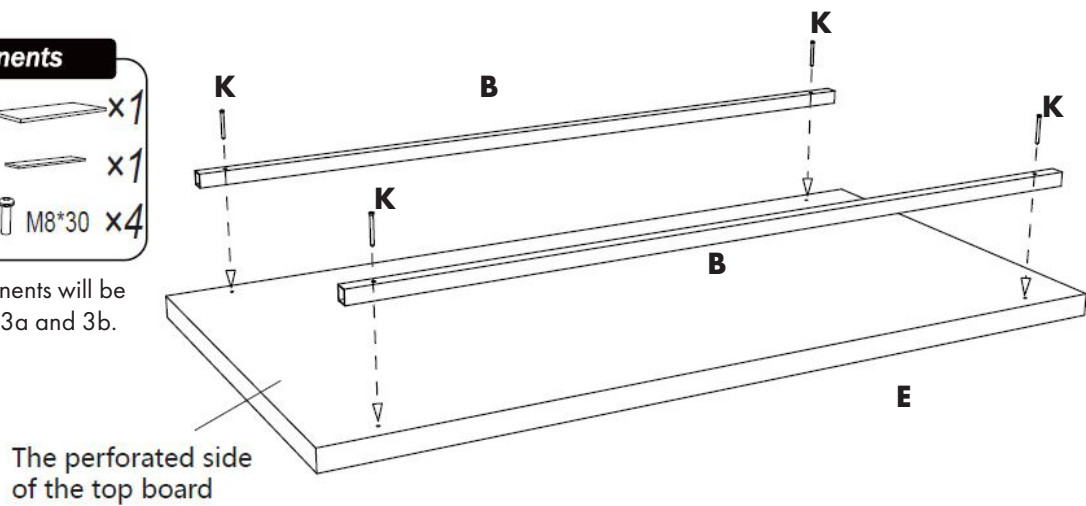
If you have any questions regarding our products, please visit us at www.displays2go.com or contact D2G customer service at 844-221-3388.



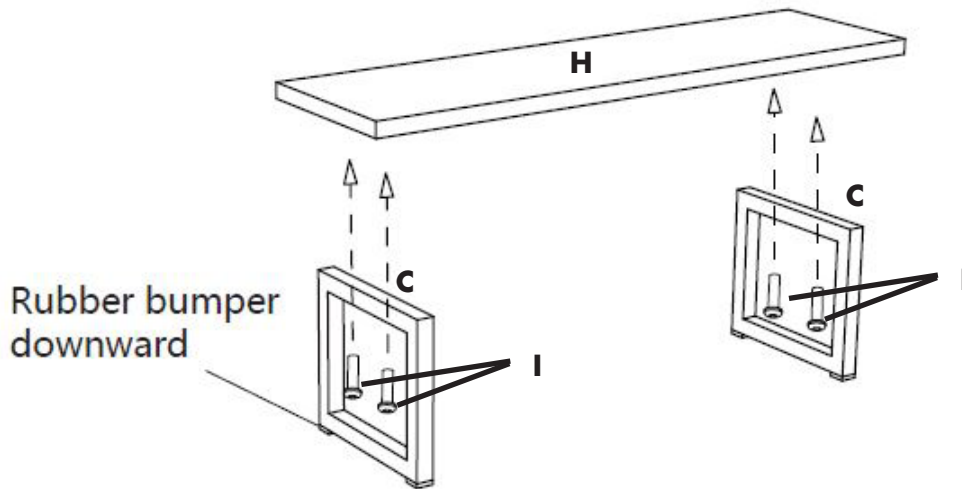
1. Screw casters to the bottom of each of the frame pieces.
2. Line up support rods to pre-drilled holes in the frame. Using M8 * 40 screws, secure support rods to the frame. Be sure screws are tight to ensure frame integrity.



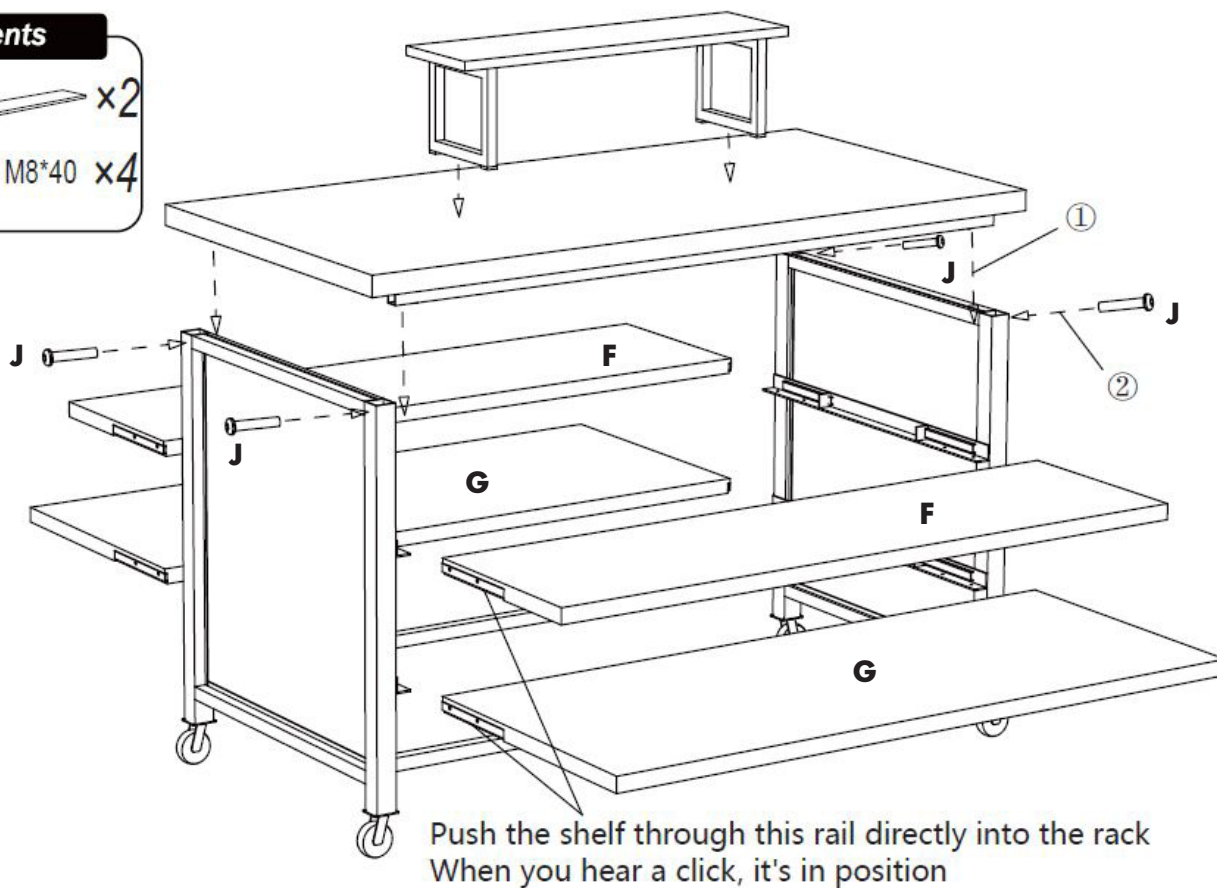
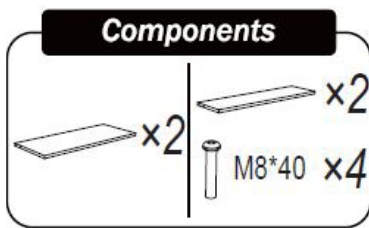
NOTE: Components will be used for steps 3a and 3b.



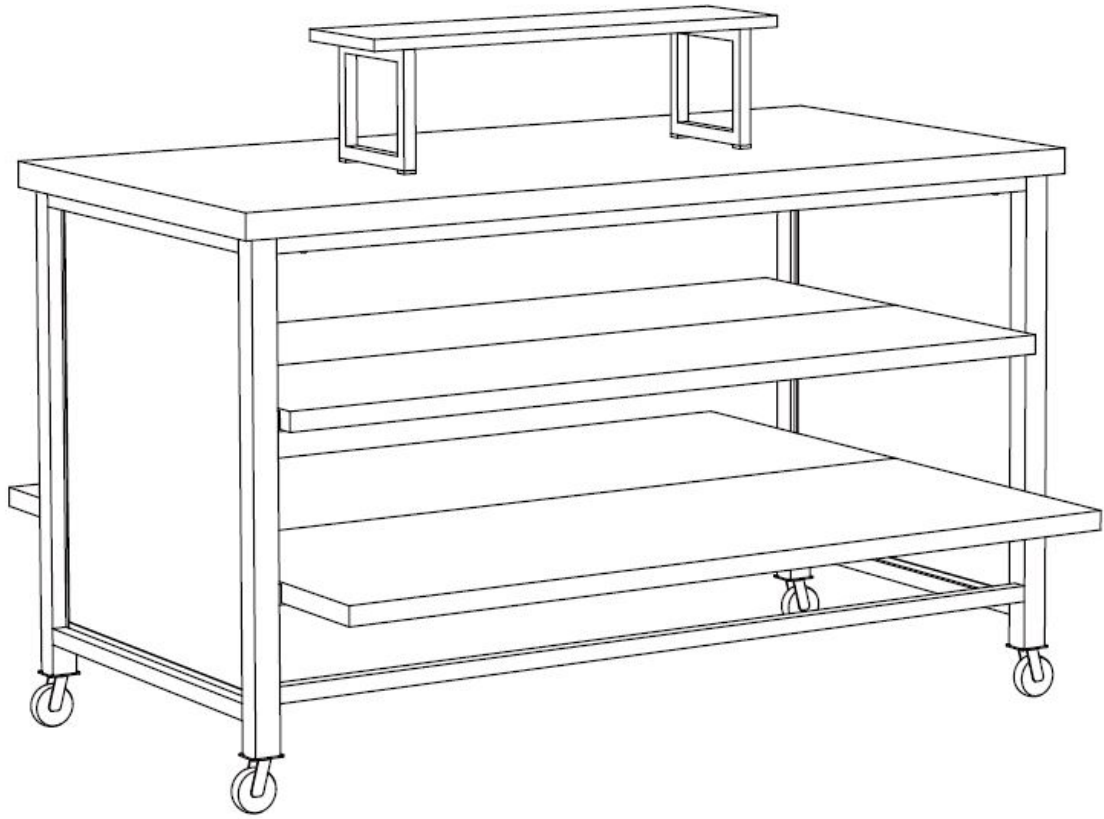
- 3a. Flip tabletop over, then secure support rods to its underside using M6 * 30 screws. (Underside is perforated with pre-drilled holes.)



3b. Using M8*45 screws, tighten mini-shelf frame pieces to the shelf top.
 NOTE: This pieces does NOT attach to the display table. It will rest on top of the unit.



4. Slot tabletop onto top of the frame. Using M8*40 screws, secure tabletop to the frame.
5. Slot shelves into the brackets on each frame piece. Slide shelf until it clicks into place.



Enjoy your new shelving display!

CONTACT INFORMATION:
WEB: www.displays2go.com
PHONE: 844-221-3388.